

Advantech-DLoG

/ DLT-M8110

Catalog



Accessories DLT-M8110

- / Vehicle Docking Station
- / Office Docking Station
- / Multi Charger
- / Battery Packs
- / Handstrap
- / RAM-Mount Sets
- / Remote Wi-Fi Antenna Kit

Catalog V1.30

The software and hardware designations as well as the brand names used in this catalog are in most cases also registered trademarks and are subject to the international law (trademark, brand and protection laws).

RAM® and RAM Mount™ are both trademarks of National Products Inc., 1205 S. Orr Street, Seattle, WA 98108.

We recognize all national and international trademarks and product names.

We reserve the right to modify the contents of this catalog at any time and without prior notice.

DLoG GmbH assumes no liability for technical inaccuracies, typographic errors or faults in this catalog.

DLoG GmbH also assumes no liability for damages caused directly or indirectly by the delivery, performance or usage of this material.

This catalog is protected by copyright. Duplication, in whole or in part, is not permitted without prior written approval of DLoG GmbH.

Title:	Catalog Accessories for DLT-M8110
Completed on:	11/30/2016
Version:	V1.30

© Copyright 2016
By DLoG GmbH
Industriestraße 15
D-82110 Germering
Germany
All rights reserved

Phone: (+49) 89 / 41 11 91 0
Mail: info@advantech-dlog.com
Internet: www.advantech-dlog.com

1. VEHICLE DOCKING STATION	4
2. OFFICE DOCKING STATION	5
3. MULTI CHARGER	6
4. BATTERY PACKS	7
4.1. Battery Pack Standard	7
4.2. Battery Pack Large	7
5. HANDSTRAP	8
6. TERMINAL MOUNTINGS	9
6.1. Operation classes 5M3, 5M2 and 5M1	9
6.2. RAM-Mount Set	10
6.2.1. RAM-Mount Set Short, ball 2.25" (1 Arm 130 mm)	10
6.2.2. RAM-Mount Set Long, ball 2.25" (1 Arm 215 mm)	11
7. WI-FI ANTENNA KIT, REMOTE	12

1. VEHICLE DOCKING STATION



Technical data / Order number	
Application	DLT-M8110 Vehicle docking
Dimension/Weight	W x H x D: 240 mm x 302 mm x 122 mm, 2.3 kg
Housing/Mechanical	Coated specific hardened polypropylene, magnesium aluminium alloy Easy and quick release through button press Standard key locking for terminal – no individualization Individual anti-theft protection through Kensington lock
Wi-Fi	External antenna through RSMA connector
Interfaces	1 x RJ 45 3 x USB 2.0 2 x RS-232 Wi-Fi pass through
Power	DC in (12 / 24 / 48 V nominally) / DC out to terminal (12 V)
Environmental	IP54 Operating temperature: -20 to +50 °C / -22 to +122 °F Shock/Vibration: Class 5M3; MIL-STD 810F
Certifications	CE/FCC Class B, UL/cUL . JATE Japan
Mounting	VESA (75x75)
Order number	DLT-M8110-VDOCK00E

2. OFFICE DOCKING STATION



Technical data / Order number	
Application	DLT-M8110 Office docking
Dimension	W x H x D: 22,5 cm x 13 cm x 17 cm
Interfaces	1 x RJ 45 2 x USB 2.0 2 x RS-232
Power	Connection to electricity supply via pre-converter Battery quick-charge function
Environmental	Operating temperature: 0 to +40 °C
Order number	DLT-M8110-OFOCK00E

3. MULTI CHARGER



Technical data / Order number	
Application	DLT-M8110 multi charger
Dimension	W x H: 30 cm x 17 cm
Power	Connection to electricity supply via pre-converter Battery quick-charge function
Charging current	1.5 A
Charging time	Normal Battery: < 2 h Large Battery: < 4 h
Environmental	Operating temperature: 0 to +40 °C
Mounting	Table usage Wall mounting
Order number	DLT-M8110-MCHARG0E

4. BATTERY PACKS

Example: DLT-M8110 Battery Pack Large



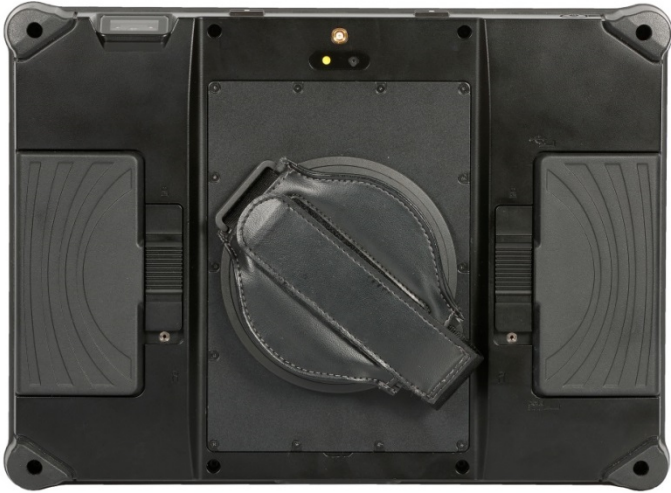
4.1. Battery Pack Standard

Technical data / Order number	
Application	DLT-M8110 Battery 2S2P
Charging Time in	2 h
Battery capacity	1750 mAh
Off-vehicle usage time	Up to 2 hrs
Order number	DLT-M8110-SBATT00E

4.2. Battery Pack Large

Technical data / Order number	
Application	DLT-M8110 Battery 2S2P
Charging Time	4 h (DLT-M8110 in standby mode)
Battery capacity	3800 mAh
Off-vehicle usage time	Up to 8 hrs
Order number	DLT-M8110-BBATT00E

5. HANDSTRAP



Technical data / Order number	
Application	DLT-M8110 Hand strap
Material	Polyethylene, Leather, Textile
Functionality	Strap is adjustable Padded Backside Rotating with 8 positions
Mounting	Three covered screws
Order number	DLT-M8110-HSTRAP0E

6. TERMINAL MOUNTINGS

6.1. Operation classes 5M3, 5M2 and 5M1

This catalog shows the mounting solutions for the DLT-M8110 Industrial PC.

It specifies whether the listed mounting solutions are suitable for mobile use, restricted mobile use or stationary use.

These uses correspond to the operation classes 5M3, 5M2 and 5M1 for mechanical environmental conditions.

The following standards offer a practical means of reference:

- DIN EN 60721-3-5: 1998 classification of environmental conditions, part 3, section 5: Use on and in ground vehicles.
- Military standard MIL-STD 810F: 2000.

5M3: Mobile use

Operational environments with **high** energy vibrations and **high** energy shocks as well as **rough** handling/transport compliant with:

- Operation class **5M3** according to DIN EN 60721-3-5 or equivalent.
- Category **US Highway Truck** according to MIL-STD 810F.
- Examples: Vehicles without shock absorption: Forklifts, unbalanced machines: Combustion engine of a construction machine.

5M2: Restricted mobile use

Operational environments with **low** energy vibrations and **high** energy shocks as well as **careful** handling/transport compliant with:

- Operation class **5M2** according to DIN EN 60721-3-5 or equivalent.
- Category **US Highway Truck** according to MIL-STD 810F.
- Examples: Vehicles with shock absorption: Driver's cab in a tractor, standing machines: Machine tools.

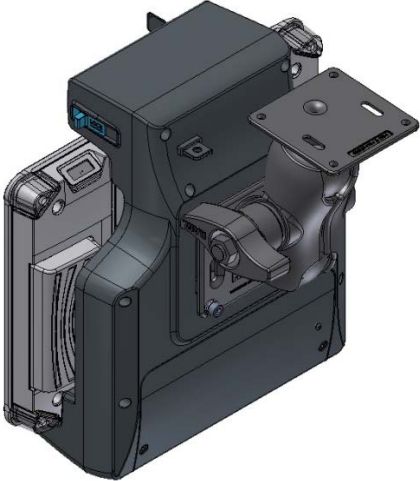
5M1: Stationary use

Operational environments with **low** energy vibrations and **medium** energy shocks as well as **very careful** handling/transport compliant with:

- Operation class **5M1** according to DIN EN 60721-3-5.
- Examples: Vehicles with very good shock absorption: Car dashboard, immobile mounting surfaces: Desk or wall.

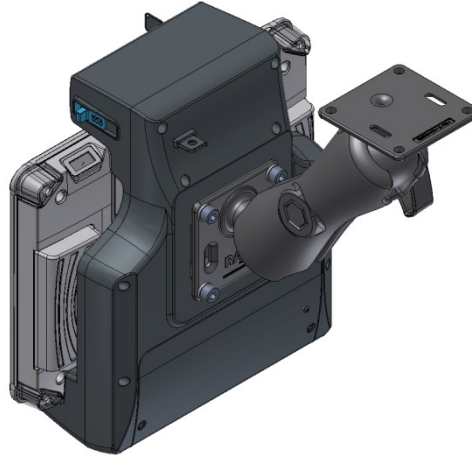
6.2. RAM-Mount Set

6.2.1. RAM-Mount Set Short, ball 2.25" (1 Arm 130 mm)



Technical data / Order number	
Application	For raw industrial environment and vehicles
Vibration/shock resistance	Suitable for mobile use according to class 5M3
Delivery contents	RAM mounting: <ul style="list-style-type: none">- Ball 2.25" (with plate)- 1 arm- Arm length 130 mm Screws for attachment to the terminal
Order number	DL-CMENT70129800

6.2.2. RAM-Mount Set Long, ball 2.25" (1 Arm 215 mm)



Technical data / Order number	
Application	For raw industrial environment and vehicles
Vibration/shock resistance	Suitable for mobile use according to class 5M1
Delivery contents	RAM mounting <ul style="list-style-type: none"> – Ball 2.25" (with plate) – 1 arm – Arm length 215 mm Screws for attachment to the terminal
Order number	DL-CMENT70129700

7. WI-FI ANTENNA KIT, REMOTE



Solid driver cabs can significantly interfere with the radio link. For this application, we recommend **remote antennas**, which are not attached directly to the vehicle terminal but rather on the vehicle roof, for example. They have better reception at this location.

To facilitate these types of configurations, Advantech-DLoG offers remote antennas from selected manufacturers.

When selecting the remote antennas, we take a range of factors into account to ensure that they are optimally matched to our terminals and to the respective customer application. This includes technical data such as radiation characteristics and efficiency.

Technical data / Order number	
Application	Dual Band antenna for Wi-Fi frequency bands IEEE 802.11 a/b/g/n
Mounting location	For remote installation, e.g. on the roof of the forklift
Number of antennas	1
Type	Omnidirectional antenna
Frequency range	Band 1: 2400 to 4900 MHz Band 2: 4900 to 6000 MHz
Antenna gain	Band 1: Max. 4 dBi ((without loss through the cable) Band 2: Max. 6,5 dBi ((without loss through the cable)
Impedance	50 Ω
Polarization	Vertical / Horizontal
Dimensions	Ø 86 x 43 mm (Ø 3,39" x 1,69")
Weight	0,3 kg (0,66 lbs)
Delivery contents	3 m antenna cable and mounting set
Connector labeling	N-Type or TNC N, Jack, female, bottom RSMA plug for RSMA socket on the terminal
Order number	DL-WFAK70277200