

TREK-306DH



10.4" In-Vehicle Smart Display

Features

- Vehicle grade 10.4" (4:3) XGA TFT LCD with rugged (IK-06 compliant) 5-wire resistive type touchscreen
- Five User-programmable function keys
- Two 2-watt water-proof Speakers.
- Built-in light sensor for auto dimming application
- Easy installation, Paired with TREK x86 computing box (TREK-5xx/6xx) by one-cable-connection
- Extended I/O ports (USB 2.0 Type A, Power button and Reset button) for TREK computing box maintenance
- Whole system (with I/O cover) is IP55 compliant
- -30 to 70° C wide working temperature



Introduction

TREK-306DH is a 10.4" In-Vehicle Smart Display for both Mobile Resource Management (MRM) and in-vehicle surveillance applications in trucks, and buses. It equipped with higher resolution (XVGA) LCD and rugged (IK-06) 5-wire resistive touchscreen. Also, It meets requirements for automotive grade working temperatures (-30 ~ 70° C), and anti-shock/vibration (MIL-STD-810G, EN60721-3(5M3) compliant). It is very easy for installation. TREK-306DH is compatible with RAM mounting solutions and can be paired with all the TREK x86 computing boxes (TREK-5xx/6xx) by one-cable-connection. TREK-306DH is designed with drivers in mind: It has Five user-programmable hot-keys; When the system requires powering up or waking up, it can be easily controlled from the buttons located on the side; An additional USB port on the side is also very useful for data access and maintenance; and for night driving, the panel has an embedded light sensor could be used for automatically adjust brightness. With these charming features, TREK-306DH performs as not only a vehicle-grade display but also a smart console system in vehicle.

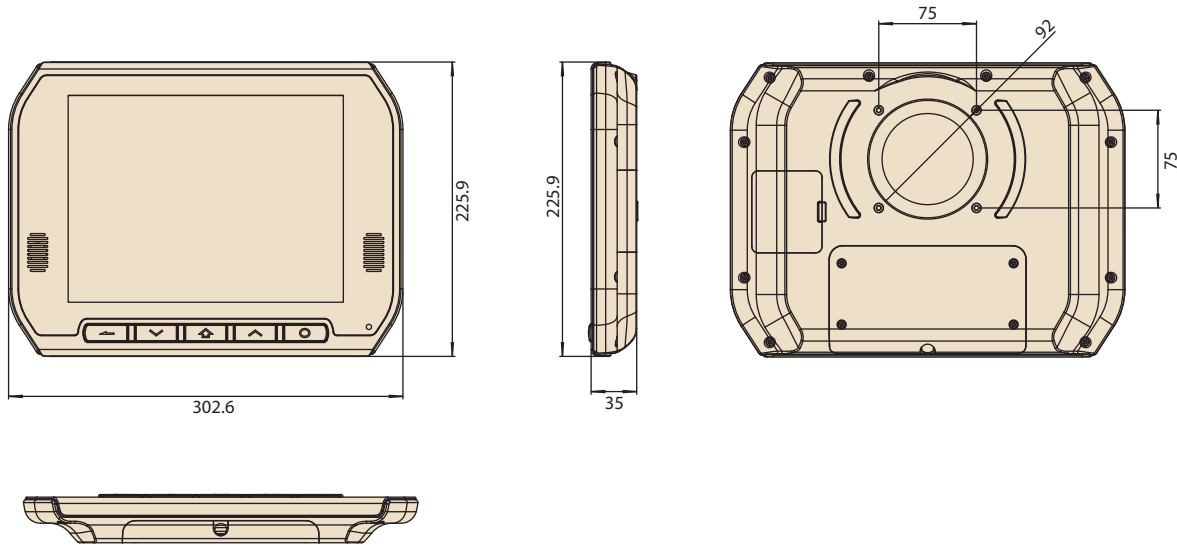
Specifications

LCD	Design Compatible Models	Paired with TREK x86 computing box (i.e. Support TREK-550/570/668/674, but not TREK-510/520)
	Resolution	XGA (1024 x 768)
	Video Interface	Single channel, 18 bit LVDS
	Pixel /Pitch	0.2055 (H) x 0.2055 (V)
	Brightness (cd/m ²)	400 (typical)
	Viewing Angle (H/V)	178/178
	Contrast Ratio	1400
	Backlight Type	LED
Backlight Life (Hrs)	50K	
Touchscreen	Size	10.4" (4:3) format
	Type	5-wire Resistive
	Transparency	80% ± 3%
	Hardness	≥ 3H
	Durability	Knock test > 35,000,000 times (Stylus= R0.8, <=50g)
IK Shock-Protection Rate	IK-06 (Resistance against impacts with an energy up to 1,00 J)	
Front Panel	Speaker	2 x 2-watt waterproof speaker
	Hot Keys	5 x User-programmable Function keys with green LED
	Brightness Control	1 x Built-in light sensor for auto-dimming implementation
Rear I/O	Smart Display Port	1 x 36-pin locking type high density connector to be paired with TREK-5xx/6xx
Right Side I/O	USB Port	1 x USB 2.0 Host Type A (Data access from/to TREK computing box)
	Power button	1 x Power button (To power on/off TREK computing box)
	Reset button	1 x Reset button (To Reset TREK computing box)
Power	DC input	12 V ± 5% (Powered by TREK computing box directly)
	Power consumption	8W (Nominal), 14W (Max.)
Mechanical	Mounting	VESA, RAM Mount (75 x 75 mm)
	Material	PC
	Weight	1.7 kg
	Dimensions (W x H x D)	303 x 226 x 35 mm
Environment	Operating Temperature	-30 to 70° C
	Storage Temperature	-40 to 80° C
	Vibration/Shock	MIL-STD-810G, EN60721-3(5M3), SAE J1455 4.9.4.2
	Certifications	CE, FCC
	IP Rating	IP55 (with I/O Cover)

TREK-306DH

Dimensions

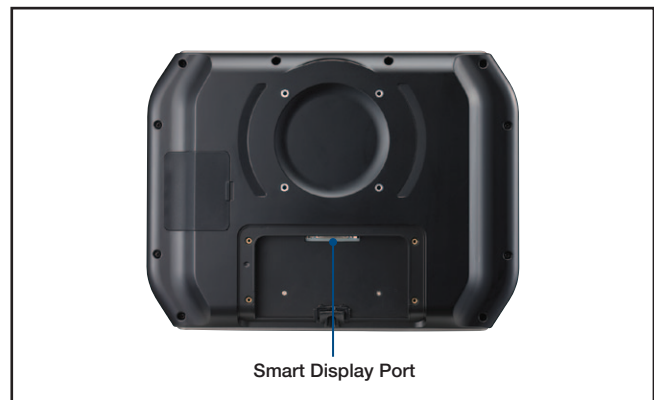
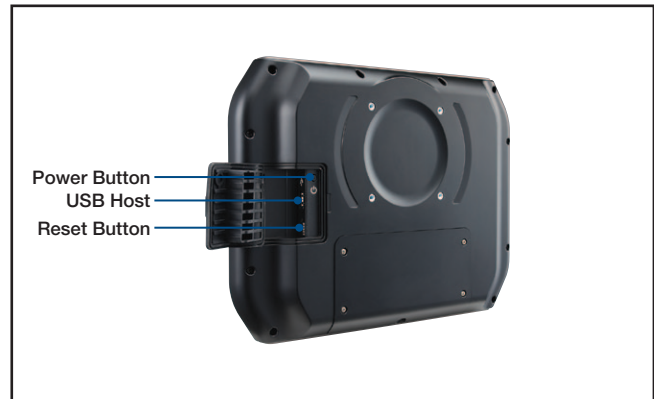
Unit: mm



I/O Connectors



- A. B. Speaker
- C. User-defined hotkeys
- D. Light sensor
- E. Reset, power, USB host (side)



Ordering Information

Part Number	Description
TREK-306D-HA0E	10.4" XVGA in-vehicle Smart Display, with 5-wire Resistive Touchscreen

Optional Items

Part Number	Description
RAM-MOUNT-06E	VESA RAM mount w/VESA base(3.625") & 5.625" double socket arm for 1.5" ball base
1700020007	2-meter smart display cable (Paired with TREK-5xx/6xx)
1700020008	5-meter smart display cable (Paired with TREK-5xx/6xx)