

DLT-M8110



Detachable & Rugged X86-based Vehicle Mount Terminal

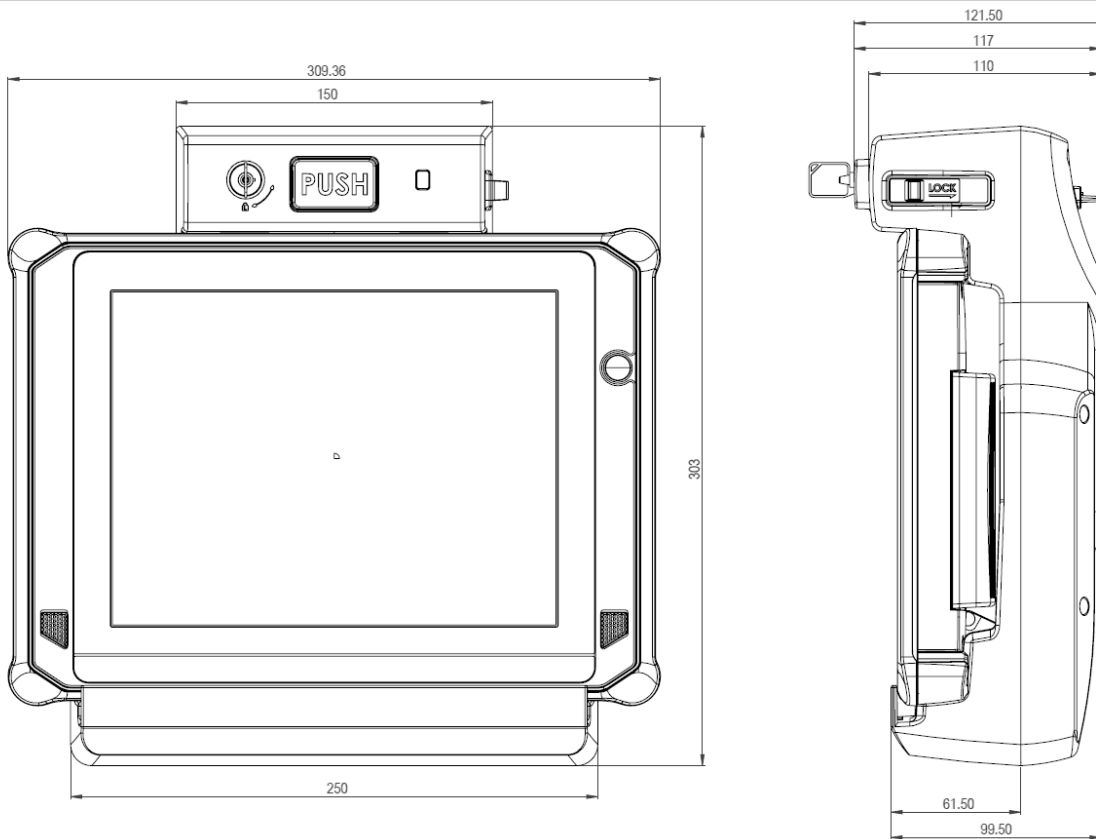
- 10.4" XGA display, PCT and resistive touchscreen as options
- Intel® ATOM™ E3827 CPU, Dual Core, 1.75 GHz
- 4 double programmable function keys
- Hot-swappable battery pack providing up to 8 hours operation
- Built-in camera, 2D barcode scanner and Wi-Fi
- Fully rugged terminal with MIL-STD-810F and IP65 certified

The DLT-M8110 is a fully rugged detachable vehicle mounted terminal device for warehouse application. It is powered by Intel® ATOM™ E3827 CPU and 4GB DDR3L memory. Built-in are robust Wi-Fi designed for logistic needs, Bluetooth 4.0 for connecting peripheral devices, camera and 2D barcode scanner for data collection. External hot-swappable batteries enables the terminal to operate up to 8 hours off-vehicle. The DLT-M8110 is tested against 5M3 and MIL-STD-810F and furthermore meets IP65 for sound dust & water resistance.

Specifications Vehicle Mounted Terminal

System	CPU	Intel® ATOM™ E3827, Dual Core, 1.75 GHz
	Storage	Single SO-DIMM, DDR3L-1067,4 GB mSATA SSD with 32 or 128 GB
Housing		Completely sealed, fanless design Coated specific hardened polypropylen
Dimensions/Weight	Terminal	W x H x D: 309 mm x 221 mm x 31.8 mm
	w/o handstrap	1.3 kg
Display		10.4" XGA (1024 x768), 4:3 format
Touchscreen		Touchscreen (400 cd/m ²) in 2 versions, PCT and resistive
Front Keys		7 Front keys: 4 double-configurable function keys plus 1 x Scanner, 1 x Power, 1 x Shift
Software	Operating systems	MS® WE8S, WE 8.1 Ind Pro, WES 7, Win 7 Prof 64bit, Win 10 IoT
Communication	Wi-Fi (Terminal)	WLAN IEEE 802.11 a/b/g/n integrated, dual band diversity
	WPAN	Bluetooth 4.0
Camera		5 MPixel CMOS camera with autofocus
Scan functionality		1D/2D Barcode scanner
Audio / Voice		Integrated speaker (2x)
Interfaces	USB	1 x USB 3.0 (underneath battery pack)
		1 x SMA (antenna) back side for Wi-Fi pass through (terminal to antenna)
		1 x Pogo pins bottom side for electrical docking interfacing
		1 x DC in underneath battery pack (12 VDC)
Power Supply		2.5 hours operation with slim battery packs, hot-swappable
		8 hours operation with optional large battery packs, hot-swappable
Environmental	IP protection class	IP65
	Operating temperature	-20 to +50 °C / -22 to +122 °F
	Relative humidity	10% to 90% at 40 °C, non condensing
	Shock/Vibration	Class 5M3 according DIN EN 60721-3-5 MIL-STD 810F (US Highway Truck)
Approvals	Certifications	CE/FCC Class B, UL/cUL . JATE Japan

DLT-M8110



Dimensions (in mm)

Specifications Vehicle Docking Station

Dimensions/Weight	Vehicle Docking	W x H x D: 250 mm x 303 mm x 121.5 mm / 2.3 kg
Housing/Mechanical		Coated specific hardened polypropylene, magnesium aluminium alloy
		Easy and quick release through button press
		Standard key locking for terminal - no individualization
Communication	Wi-Fi	External antenna through RSMA connector
	LAN	1 x RJ 45
Interfaces (Vehicle Docking)	USB	3 x USB 2.0 (HI-SPEED™)
	Serial	2 x RS-232
	Power	DC in (12 / 24 / 48V nominally) / DC out to terminal (12V)
	Wi-Fi pass through	1x SMA (antenna) back side for Wi-Fi pass through (terminal to antenna)
	Electrical	Pogo pins for electrical interfacing to terminal
Power Supply		Wide range 12 / 24 / 48 V nominally (9 - 60 VDC max.) integrated
Environmental	IP protection class	IP54
	Operating temperature	-20 to +50 °C / -22 to +122 °F
	Relative humidity	10% to 90% at 40 °C, non condensing
Approvals	Certifications	Shock/Vibration
		Class 5M3 according DIN EN 60721-3-5 MIL-STD 810F (US Highway Truck)
		CE/FCC Class B, UL/cUL . JATE Japan

Accessories (optional)

- Office Docking Station
- Battery Charger 4x
- Batteries, large sized
- Mountings
- External Antennas