

TREK-733L

RISC All-in-One Light duty Mobile Data Terminal



Features

- Freescale i.MX6 1GHz SOC, 1GB Memory
- Support Android 4.4.2
- Wifi/ BT combo support
- HSDPA/LTE full bands support
- Build-in battery pack (3.6V, 2400mAh)
- WWAN/WLAN/GPS external antenna available
- Wide working temperature range (-20~ 70° C)
- support 12/24V vehicle power and shock/vibration tolerant (MIL STD-810G)

Introduction

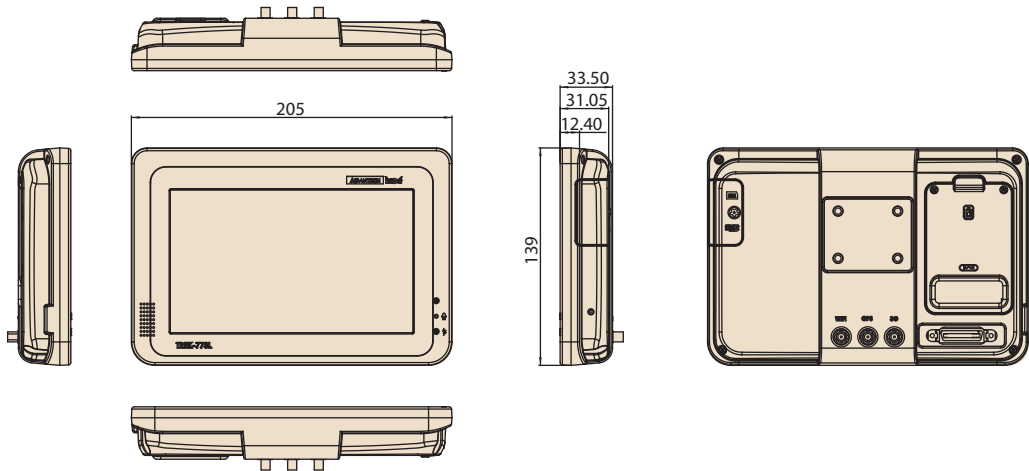
TREK-733L is designed as an open platform (RISC) in Android 4.2 with 7" display all-in-one light duty MDT. 1GHz process , 1GB memory and LTE provide high speed data with performance required by fleet management company. It offers a build-in battery to backup any emergency condition(UPS). MIL-STD 810G rated can be satisfied by most light duty vehicle vibration condition. Providing wifi, BT and GPS in the same time for multi extra devices needed, the LTE can turn the vehicle into a wireless hub while its built-in GPS can be used for location and route optimization. With optimized antenna, there are three external antenna ports reserved for critical outdoor application.

Specifications

CPU	Processor	Freescale i.MX6D Dual Lite CPU 1.0 GHz processor
	RAM	1GB DDR3
OS		Android 4.4.2
Storage	eMMC	4GB on board
	SD Card	1 x push-push type SD slot with cover
Display	Size	7" TFT LCD Panel
	Resolution	1024 x 600
	Luminance	500 nits
Touch screen	Type	Capacitive (Multiple Touch)
	Construction	G/F/F
	Thickness	1.2 mm
I/O	Standard I/O Port	1 x SIM Card slot, 1 x uSD Card, 1 x mini PCIe
	Extend I/O Port	2 x RS-232, 1 x USB2.0, 1 x Ignition, 4 x DI, 2 x DO
RF	Wifi/Bluetooth	IEEE 802.111 b/g/n, BT2.0, BT4.0
	GPS	GPS_MAX-7Q
	WWAN	4G LTE (Cinterion® PLS8-E)
Mechanical	Dimension (W x D x H)	205 x 139 x 33.5 (mm)
	Weight	820g (incl. battery)
LED indicators		Yes
Power	Voltage input	Supports 12/24V car power system
	Battery pack	3.6V, 2400mAh
	Battery charging time	3hrs
	Battery Pack charging Temperature	0 to +40° C
Light Sensor		x 1
G-sensor		x 1
MIC		x 1
Speaker		2W x 1
Certification		CE, FCC, E-mark, CCC

Dimensions

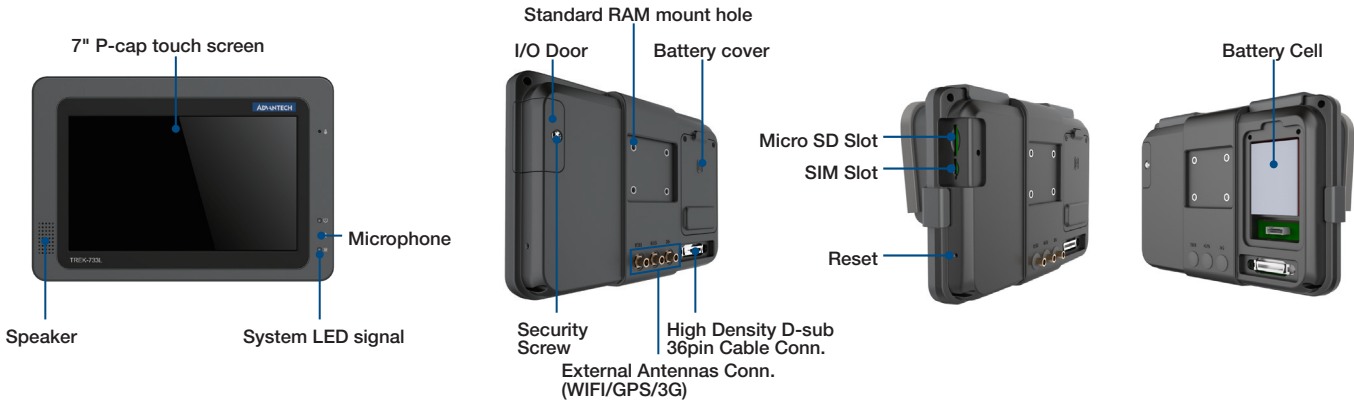
Unit: mm



Specifications Cont.

Environment	Thermal	MIL STD-810G, Method 503.5, Procedure-I-C; -20° C~70° C SAE 1455 * IEC 60068-2-27 Testing procedures Ea: Shock Test
	Vibration/Shock	MIL STD-810G
	EMC	CE, FCC, CCC
	Safety	UL/cUL, CB
	Vehicle Regulation	E-Mark (E13) (12/24V System)
	RF Regulation	CE, FCC, CCC
	Operation	-20 to +70° C
	Storage	-20 to +70° C

I/O Connectors



Ordering Information

Part Number	Description
TREK-733L-A0E	TREK-733L barebone
TREK-733L-LWBADA0E	TREK-733L A0 W/1GHz,1GB, Android, LTE-US, GPS, BT, Wifi
TREK-733L-LWBADB0E	TREK-733L A0 W/1GHz,1GB, Android, LTE-EU, GPS, BT, Wifi

Optional Items

Part Number	Description
TBD	RAM-MOUNT
TBD	HDC (36 pin)