

# TREK-773



## 7" All-in-One Mobile Data Terminal

### Features

- Intel® Atom™ E3826 SOC
- Supports WES8 and Fedora 18 Remix
- 7" WVGA wide-angle LCD resistive touchscreen
- Vehicle diagnostics interface with CAN (J1939, OBD-II/ISO 15765) and J1708 (J1587) protocols
- Built-in GNSS, WLAN, Bluetooth, NFC, and LTE WWAN modules
- Intelligent vehicle power management system supports ignition on/off/delay functions, wake-up event control, and system health monitoring and diagnostics
- Wide working temperature range (-30° C ~ 60° C), supports 12/24 V vehicle power (ISO 7637-2), and certified for shock and vibration tolerance (MIL-STD-810G and 5M3)



## Introduction

TREK-773 is a new generation all-in-one 7" mobile data terminal. With an Intel® Atom™ E3826 SOC processor, the system provides high performance with wired connections such as Gigabit Ethernet, CAN2.0B (J1939, OBD-II/ISO 15765) and J1708 (J1587). Users can also connect to network services via LTE (backward compatible to CDMA/HSDPA), GPS, WLAN and Bluetooth options. Focused on the automotive market, TREK-773 is designed for vehicle power which is compliant with ISO7637-2 & SAE J1113, ensuring the system is stable during engine starts. The ruggedized chassis provides more capabilities not only in a wide range of temperatures (-30 ~ 60 °C), but also in harsh environments subject to shock (100G, 6ms) and vibration.

## Specifications

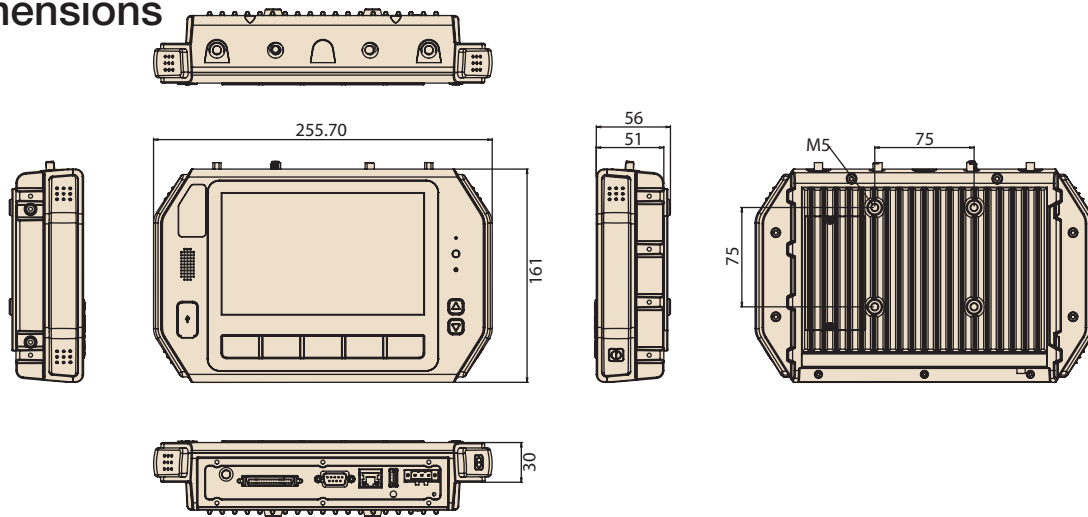
Core	Processor	Intel Atom E3826 (Dual Core, 1.46 GHz)	
	Memory	Support up to 4GB DDR3L-1066 memory module (Default configuration: 2GB)	
	Graphic	Integrated 2D/3D Graphic Engine	
	O.S	Windows Embedded 8 Standard (32-bit); Windows 7 by project-based Fedora 18 Remix (kernel 3.8.0) (32-bit)	
Storage	CFast	1 x external accessible CFast slot with cover, support system boot up Default configuration: 16GB	
	SD Card	1 x external accessible push-push type SD card slot with cover for extra capacity expansion	
Display	Type	7" industrial grade TFT LCD	
	Resolution	WVGA (800 x 480)	
	Brightness (cd/m <sup>2</sup> )	500 cd/m <sup>2</sup> (typical)	
	View Angle (H/V)	170/170 Full Viewing Angle	
	Contrast Ratio	900	
	Backlight Life (Hrs)	30K	
Touchscreen	Type	4-wire analog resistive, with 3H and IK06 (drop ball 510g @300mm) supported	
	Transparency	84% ±3%	
Sensor	Sensor	Light sensor, G-sensor	
I/O	Function Key	5 x programmable function keys with green LED	
	Standard I/O Port		1 x SIM Card Slot (Left side)
			1 x High Speed Full RS-232 (Bottom side)
			1 x USB 3.0 Host Type A (Bottom side)
			1 x Giga LAN, RJ45 connector (Bottom side)
	Extended I/O Port (High Density Connector)		1 x MIC In
			1 x Stereo Line In
			1 x Stereo Line Out
			1 x CVBS Input
			1 x USB 2.0 Host
		1 x High Speed Full RS-232	
		1 x RS-485 with auto flow control	
Power Button	1 x Power Button		
LED	1 x LED (Yellow for Power)		

# TREK-773

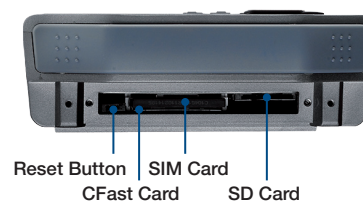
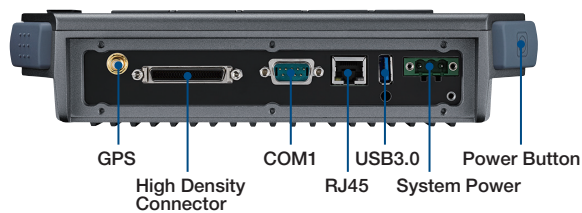
RF	WLAN + Bluetooth	IEEE 802.11a/b/g/n + Bluetooth (V4.0 LE, V3.0+HS, V2.1+EDR) combo module via Full Size Mini-PCIe Slot (Optional: High power WLAN for Roaming by project-based)
	WWAN	4G (LTE / HSPA+ / CDMA EV-DO Rev.A): Sierra Wireless MC73xx
	GNSS	Built-in u-blox MAX-M8Q module, supports AGPS, Glonass, and BeiDou
	Antenna	1 x GPS, 2 x WWAN (LTE), 2 x WLAN/Bluetooth
	NFC	ISO/IEC 14443A, 14443B, 15693; MIFARE 1K/4K, Ultralight; NFC-IP2 protocol
Power	Voltage Input	Supports 12/24V car power system. (6 ~ 32V wide DC input, ISO 7637-2 & SAE J1113 compliant.) 48V option: 18~58V input by project-based
	Intelligent Vehicle Power Management (iVPM 2.0)	System power on/off/hibernate management (e.g. Programmable Ignition On/Off Time delay) Support Wake up Events: - Alarm (RTC) Wake up - Wake up by Call/SMS System power protection (e.g. Car Battery Low Voltage Protection) System monitoring and diagnostic
Mechanical	Dimensions (W x H x D)	255.7 x 161 x 56 mm
	Weight	2.2 kg
Environment	IP Rating	IP54 (except I/O plate). Option to support entire system IP54 with additional I/O cover
	Vibration/Shock	MIL-STD-810G, EN60721-3(5M3)
	EMC	CE, FCC, CCC
	Safety	UL/cUL, CB
	Vehicle Regulation	E-Mark (E13) for 12/24V System, SAE J1455 class C, ISO 7637-2, SAE J1113
	Railway	EN50155
	RF Regulation	CE (R&TTE), FCC ID
	Operating Temperature	-30 to 60° C
	Storage Temperature	-40° C ~ 80° C

## Dimensions

Unit: mm



## I/O Connectors



## Ordering Information

Part Number	Description
TREK-773R-00A0E	TREK-773R Intel BYT E3826 (2C, 1.46GHz) Barebone w/NFC
TREK-773R-LWB8A0E	TREK-773R w/LTE (EU)/GPS/WLAN/BT/NFC/CFast/WES8
TREK-773R-LWB8B0E	TREK-773R w/LTE (US)/GPS/WLAN/BT/NFC/CFast/WES8